

OmniScan MX2

Getting Started Guide

Intended Use

The OmniScan MX2 is designed to perform nondestructive inspections of industrial and commercial materials. Do not use the OmniScan MX2 for any purpose other than its intended use.

Instruction Manual

Before use, thoroughly review the *OmniScan MX and MX2 User's Manual* and the *OmniScan MXU Software User's Manual*, and use the product as instructed. The user's manuals contain essential information on how to use this Olympus product safely and effectively. Keep this guide and the user's manuals in a safe and accessible location. The PDF versions of the *OmniScan MX2 User's Manual* and *OmniScan MXU Software User's Manual* are also available on the documentation USB drive that is shipped with the OmniScan MX2, or can be downloaded at www.olympus-ims.com.

Safety Signal Words



DANGER

Indicates an imminently hazardous situation calling attention to a procedure, practice, or the like, which, if not correctly performed or adhered to, could result in death or serious personal injury



WARNING

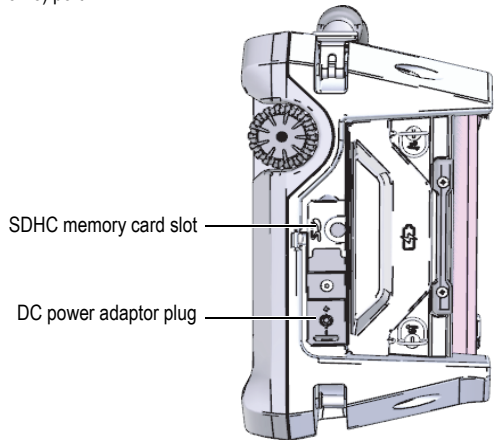
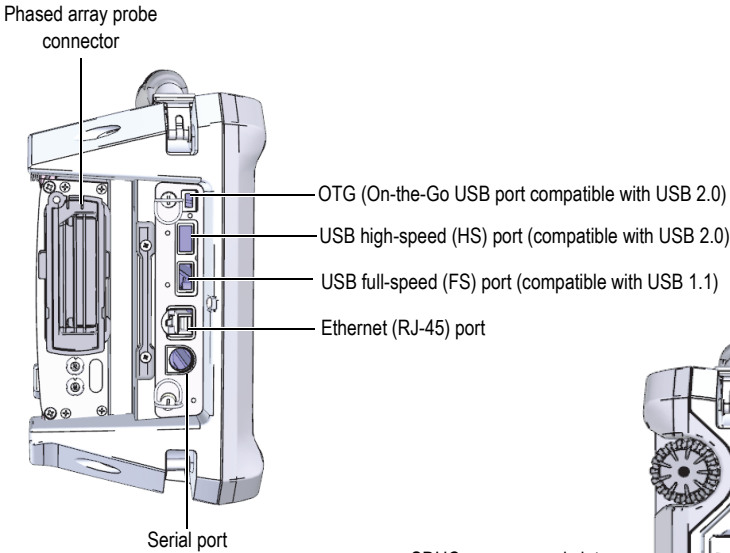
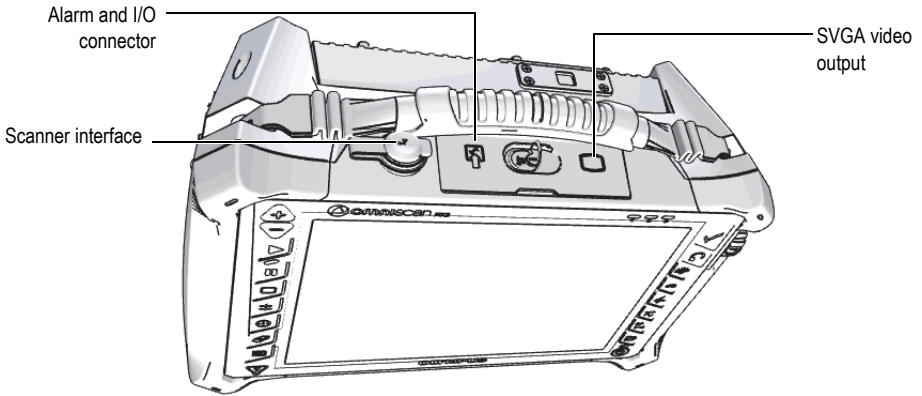
Indicates a potentially hazardous situation calling attention to a procedure, practice, or the like, which, if not correctly performed or adhered to, could result in death or serious personal injury.



CAUTION

Indicates a potentially hazardous situation calling attention to a procedure, practice, or the like, which, if not correctly performed or adhered to, could result in minor or moderate personal injury, material damage, particularly to the product, destruction of part or all of the product, or loss of data.

Connections



DANGER

To reduce the risk of electric shock, avoid touching the inner conductor of the probe connectors. Up to 340 V can be present on the inner conductor of the UT connectors, and up to 115 V can be present on the PA connector. The warning symbol near the PA and UT connectors signals this electric shock risk.

Warnings on Battery Use

Carefully read and observe the following warnings on battery use.



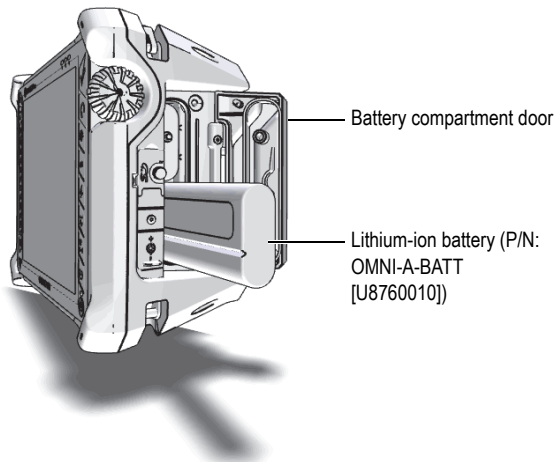
WARNING

- Do not open, crush, or perforate batteries; doing so could cause injury.
- Do not incinerate batteries. Keep batteries away from fire and other sources of extreme heat. Exposing batteries to extreme heat (over 80 °C) could result in an explosion or personal injury.
- Do not drop, hit, or otherwise abuse a battery, as doing so could expose the cell contents, which are corrosive and explosive.
- Do not short-circuit the battery terminals. A short circuit could cause injury and severe damage to a battery, making it unusable.
- Do not expose a battery to moisture or rain; doing so could cause an electric shock.
- Only use the OmniScan MX2 or an external charger approved by Olympus to charge the battery.
- Do not recharge a battery unless the indicators light up when the capacity check button on the battery is pressed. Doing so could be dangerous.
- Do not store batteries that have less than 40 % remaining charge. Recharge batteries to between 40 % and 80 % capacity before storing them.
- During storage, keep the battery charged to between 40 % and 80 %.
- Do not leave the battery in the OmniScan MX2 during instrument storage.

Replacing a Lithium-Ion Battery

To replace a lithium-ion battery

1. On the right side panel, turn the two quarter-turn latches counterclockwise to open the battery compartment door.
2. Remove the battery by pulling on the strap.
3. Insert a new battery. Make sure that the groove on the battery is aligned with the small edge inside the battery compartment.
4. Close the battery compartment door.



NOTE

The OmniScan MX2 can operate using only one battery, making it possible to remove the other battery while the unit is in operation (hot swap). When two batteries are used, the OmniScan MX2 automatically discharges both batteries at the same time, increasing the remaining operating time by about 10 %. To discharge one battery at a time, simply remove the other battery.

Charging the Batteries

To charge the batteries

◆ Connect the OmniScan MX2 to the supplied DC power adaptor.

- When the OmniScan MX2 is connected to a proper DC power source and is turned off, it will automatically recharge any battery requiring charging, starting with the weakest battery (if the recharge conditions are met).

Once the weakest battery has reached the level of the other battery, both batteries are charged simultaneously.

The power indicator light indicates that batteries are currently being recharged when it flashes orange. When the charge is complete, the power indicator light emits a steady orange light. Each battery can take up to 3.5 hours to fully charge from a completely discharged state (less than 5 % remaining charge).

- When the OmniScan MX2 is running and connected to a proper DC power source, it will automatically recharge any battery requiring charging, starting with the weakest battery (if the recharge conditions are met). The indicator for the battery being recharged flashes yellow.

Once the weakest battery has reached the same level as the other battery, both batteries are charged simultaneously.

Because the OmniScan MX2 is running, less power is available from the DC source to recharge the battery or batteries. As such, it could take up to 8 hours to charge each completely discharged battery. For more information about battery charge status, refer to the *OmniScan MX and MX2 User's Manual*.



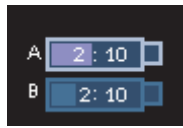
WARNING

The OmniScan MX2 DC power adaptor (P/N: OMNI-A-AC [U8767093]) is designed to charge OmniScan MX2 batteries only (P/N: OMNI-A-BATT [U8760010]). Do not attempt to charge any other type of battery, or use any other chargers/adaptors. Doing so could cause an explosion or injury. Do not attempt to power or charge other electronic equipment with the OMNI-A-AC DC power adaptor, as doing so could cause an explosion resulting in death or serious personal injury.

Battery Status Indicators

When the OmniScan MX2 is running, the battery status is shown by indicators located on the upper-left corner of the touch-screen display. These indicators display the amount of power remaining in each battery using one of the two following methods:



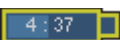


- The remaining operational time is displayed inside the battery status indicator. This information can only be displayed accurately after the OmniScan MX2 has been operating for approximately 15 minutes.



- The charge indicator (bar) inside the battery status indicator provides an approximation of the amount of power remaining for that battery.

If you attempt to start up the OmniScan MX2 using batteries with a charge too low for operation, the power indicator light rapidly flashes red for approximately three seconds. To operate the OmniScan MX2, replace the batteries or plug in the DC power adaptor.

The battery currently in use is highlighted. When both batteries are used simultaneously, they will both appear highlighted. The OmniScan MX2 software keeps the user informed of the battery status. The table below describes some of the battery status indicators available:

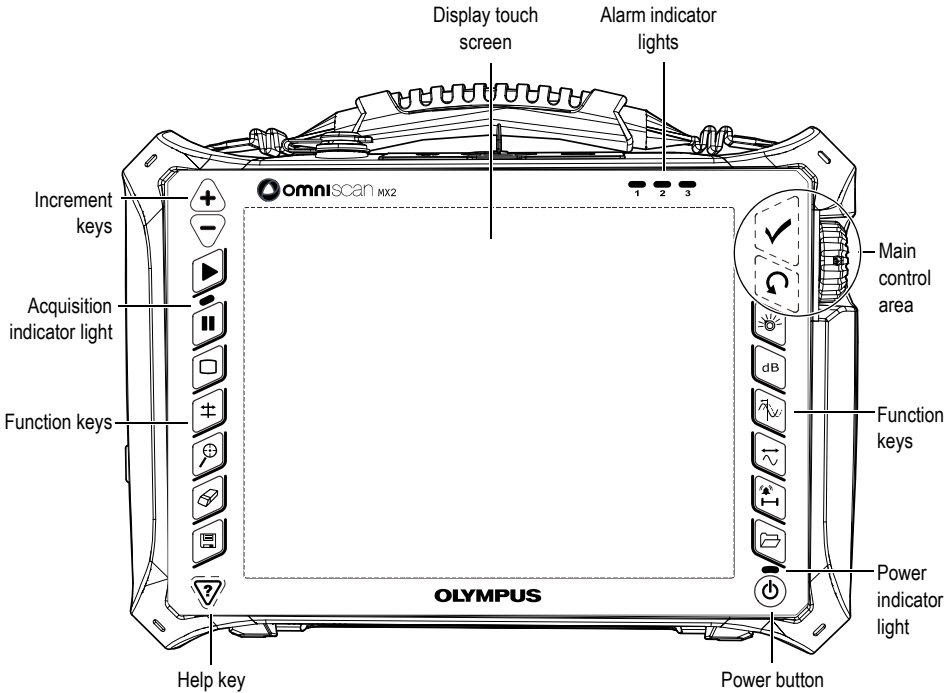
Indicator	Outline	Fill	Meaning
	Dotted	N/A	There is no battery in that compartment.
	Blue	Blue	The battery is functioning properly.
	Yellow (blinking)	Blue	The battery is charging.
	Red (blinking)	Blue	The battery charge is critically low (less than 10%). A beeping sound is emitted if no other battery is available.
	N/A	Yellow	The OmniScan MX2 is being powered externally through the DC adaptor.

NOTE

For other status indications, refer to the *OmniScan MX and MX2 User's Manual*.

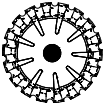


Front Panel

The front panel of the OmniScan MX2 contains all the main controls and indicators. This panel is divided into seven areas: the touch-screen display, the main control area, the function keys, the power button, the increment keys, the Help key, and the indicator lights.



Main Control Area

You can control the OmniScan MX2 using the main control area alone.

Element	Name	Description
	Scroll knob	Used to navigate through selections without the need for a keyboard, mouse, or touch screen. Turning the scroll knob in a clockwise direction shifts a selection to the left (horizontal list) or upward (vertical list).
	Accept key	Used to confirm a selection.
	Cancel key	Used to cancel the current selection, or to go back one level in the menu hierarchy.

Turning On and Off the OmniScan MX2

To turn on the OmniScan MX2

- ◆ Press the Power key.

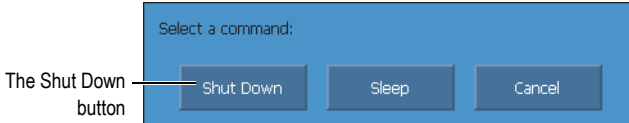
The system starts up and performs a memory check.

If the system encounters a problem during its start-up phase, the power indicator light uses a color code to identify the nature of the problem. Refer to the *OmniScan MX2 User's Manual* for more details.

To turn off the OmniScan MX2

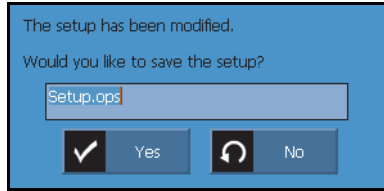
1. Quickly press the Power key.

The "Select a command" message appears.



2. Select **Shut Down**.

A message asking you if you want to save your setup appears.



3. To save your setup, select **Yes**.

NOTE

You can also turn off the OmniScan MX2 by pressing and holding the Power key for ten seconds. However, your setup will NOT be saved.

Sleep Mode

The OmniScan MX2 can be put into sleep mode when not in use to conserve power.

To use the sleep mode

1. With the OmniScan MX2 turned on, quickly press the Power key.

The "Select a command" message appears.



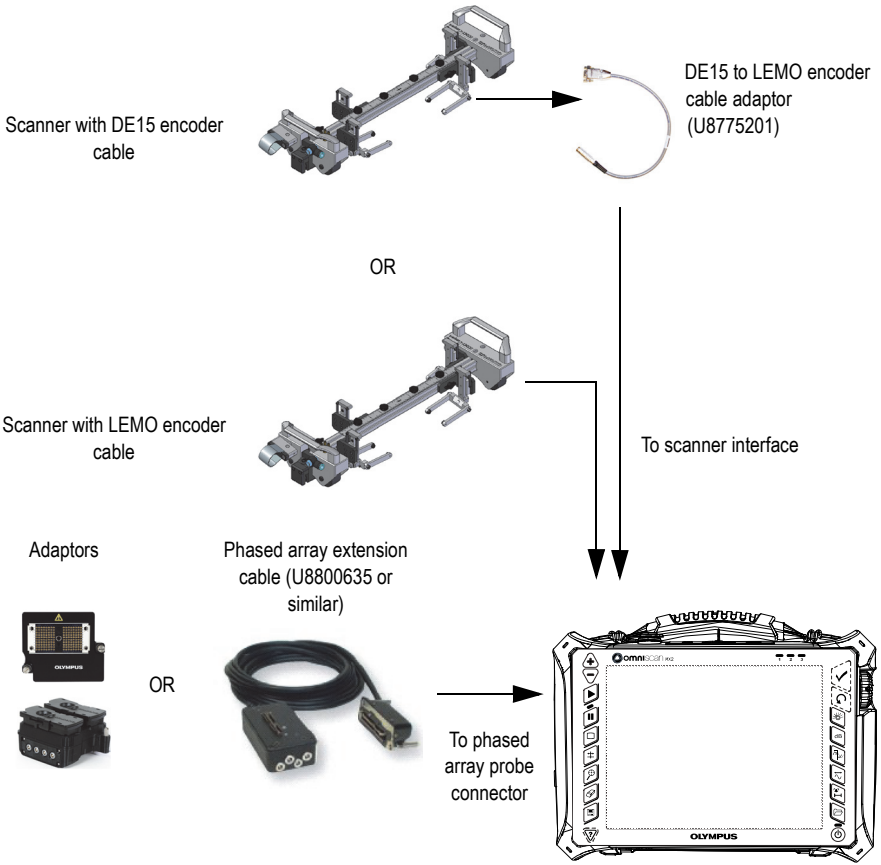
2. Select **Sleep**.

3. To disable the sleep mode, quickly press the Power key.

The OmniScan MX2 returns to its previous state (inspection or analysis mode).

Adaptors

The figure below shows how the OmniScan MX2 can be integrated with your existing equipment.



Olympus NDT, 48 Woerd Avenue, Waltham, MA 02453, USA
www.olympus-ims.com

Printed in Canada • © 2011, 2013 by Olympus. All rights reserved.

All brands are trademarks or registered trademarks of their respective owners and third party entities.



Part ID: U8778403



DMTA-20019-01EN
Rev. B, February 2013



Printed on Rolland Hitech50,
which contains 50 % post-
consumer fiber.